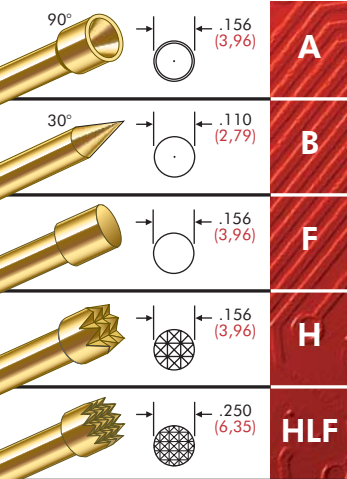


Series S SIZE 5 .187 CENTERS

BeCu PLUNGERS



PROBE SPECIFICATIONS

Minimum Centers: .187 (4,75)
 Current Rating: 5 amps continuous
 Spring Force: 8.0, or 16.4 oz. @ .170 (4,32) travel
 Contact Resistance: < 8 mΩ
 Working Travel: .170 (4,32)

Rated Force oz (gms)	Preload oz (gms)	Material
8.0 (227)	3.1 (88)	SS
16.4 (465)	2.8 (79)	MW

RECEPTACLE SPECIFICATIONS

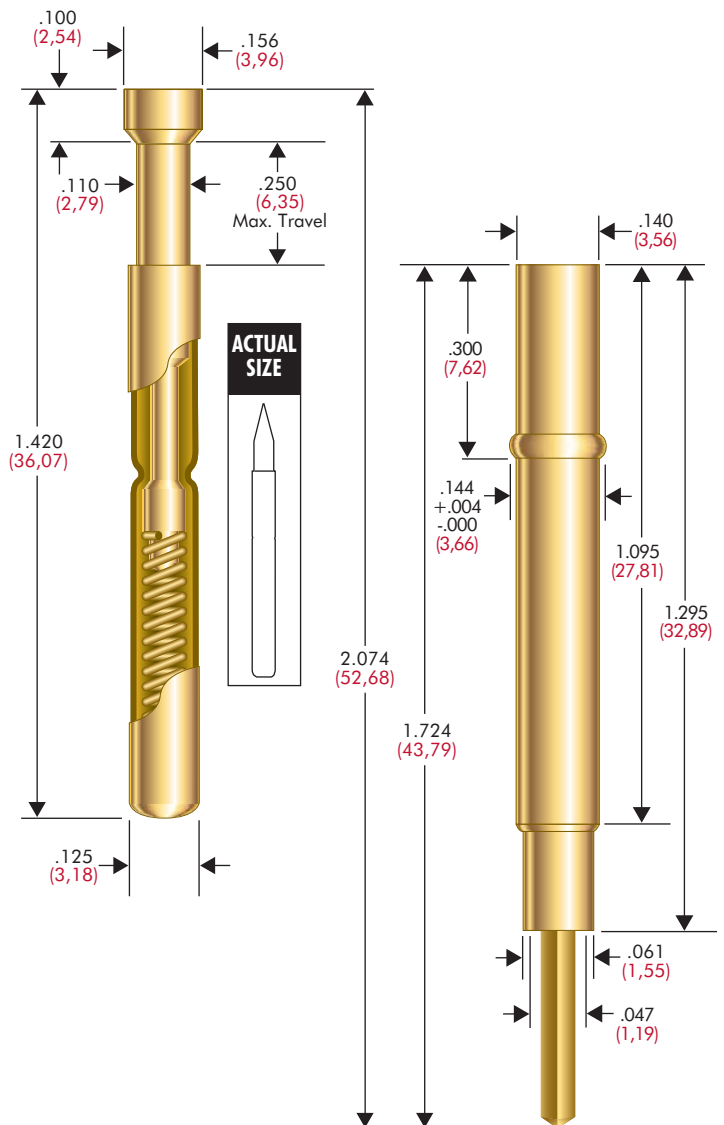
Connections:
 R-5-CR: Crimp
 R-5-SC: Solder Cup
 R-5-WW: Wire Wrap
 .025 (0,64) square post, .429 (10,90) length

Recommended Wire:
 22-26 gage
Drill Size: 3,60mm
Mounting Hole Size:
 .141/.143 (3,58/3,63)

MATERIALS

Barrel: Nickel/silver, gold plated
Spring: Music wire or stainless steel
Plunger: Full-hard beryllium copper, gold plated over nickel or optional Duralloy™
Receptacle: Nickel/silver, gold plated, gold plated post

S 5 PROBE AND RECEPTACLE



HOW TO ORDER: SPRING CONTACT PROBE

S SERIES
5 SIZE
A TIP STYLE
16.4 SPRING FORCE
G PLATING OPTIONS

SPRING FORCE:
 8.0 oz. @ .170 (4,32) travel
 16.4 oz. @ .170 (4,32) travel

PLATING OPTIONS:
G: Gold Plated Plunger
D: Duralloy™ Plated Plunger

CRIMPING PLIERS: CP5
INSERTION TOOL: RT5

RECEPTACLE

R SERIES
5 SIZE
WW TERMINATION
429 POST LENGTH

TERMINATIONS:
CR: Crimp
SC: Solder Cup
WW: Wire Wrap

View updates of this information at <http://www.idinet.com>

Specifications subject to change without notice. Dimensions in inches (millimeters)